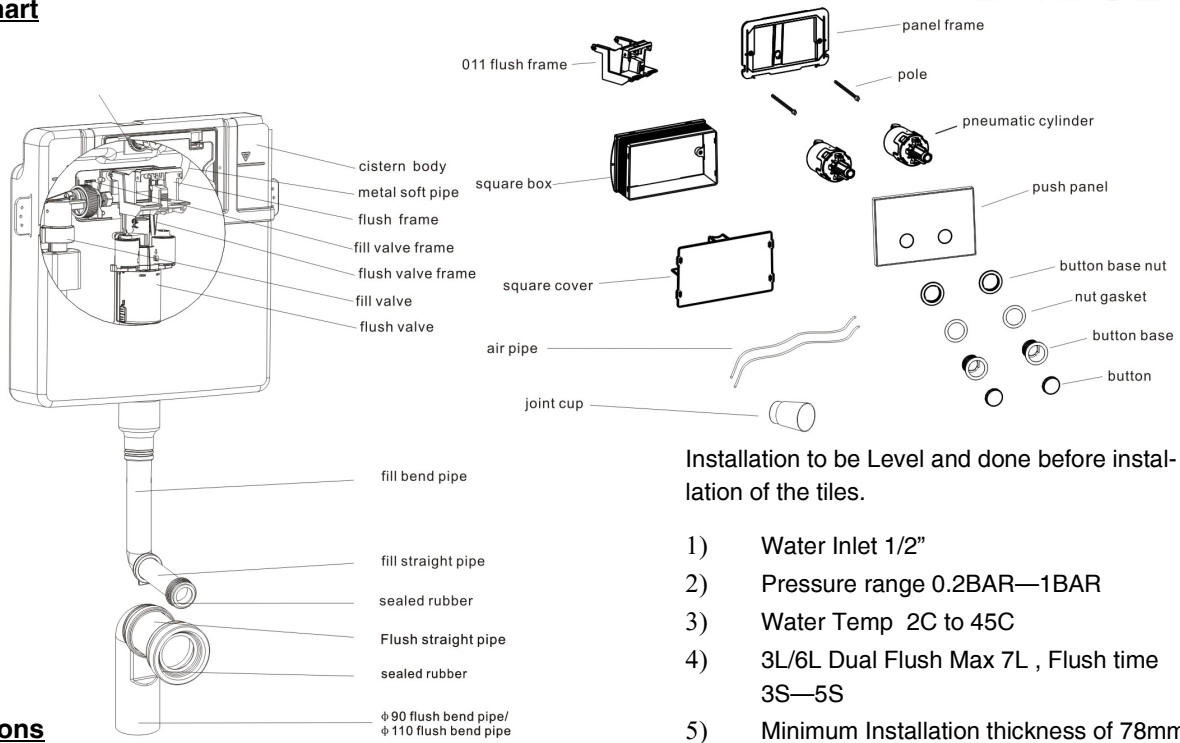


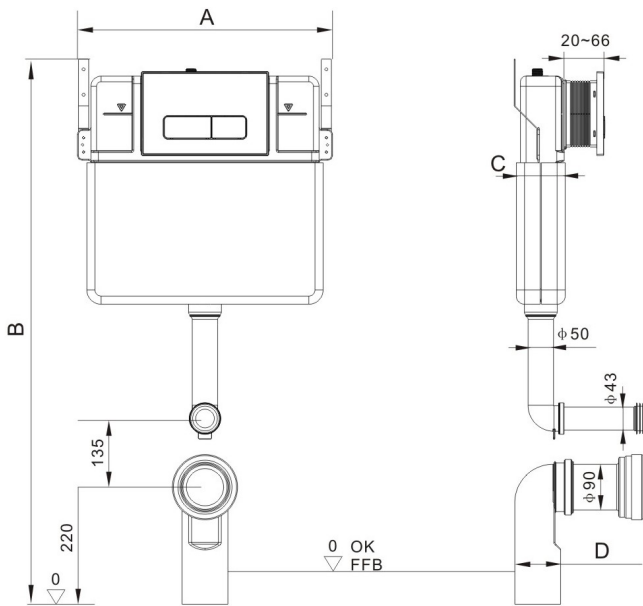


BPF201301 Specifications

Fitting Chart



Dimensions



BPF201301 Dimensions

- A = 496mm
- B = 1020mm
- C = 115mm
- D = 110

Installation Methods

